

WISENET Xseries

XNO-6120R/LPR

2MP Parking Lot Bullet Network Camera with License Plate Recognition (LPR) System

Key Features

- XNO-6120R camera with LPR Application pre-loaded and licensed
- LPR Recognition System for low speed parking lot, gate, drive thru
- Edge based LPR application on Open Platform, NON server based
- 2 Megapixel (1920 x 1080) resolution
- 5.2 ~ 62.4mm (Optical 12X) Optical Lens
- H.265, H.264, MJPEG Codec Supported, Multiple streaming
- Loitering, Directional detection, Fog detection, Audio detection
- IR readable length for LPR 65 ft, IP67 / IP66, NEMA 4X, IK10
- LDC Support (Lens Distortion Correction)
- PoE, 24V AC, 12V DC, Bi-directional audio support



Detailed LPR Application Specifications

| Features | Specs | Details |
|---------------------------|----------------------------------|---|
| Speed of Vehicle | Up to 35MPH | Stop and go, Low speed, Single Lane LPR applications |
| Speed of OCR Engine | 1PPS | One plate per second |
| LPR Read Accuracy | 95% | Depends on plates, and install conditions. See recommended height, lane offset and distance |
| Required Frame Rate | Min. 10fps, Max 20fps | Required frame rate for LPR application |
| Camera Height | Min. 4 ft Max. 14 ft | Camera height measured from the bottom of the pole to the camera |
| Capture Distance | Min. 10 ft Max. 65 ft | Forward distance measured from number plate to the camera mount * |
| Horizontal Plate Angle | 20 Deg. Max | 20° angle from aiming direction perpendicular to plate |
| Vertical Plate Angle | 20 Deg. Max | 20° angle from aiming direction perpendicular to plate |
| Max. Plate Rotation Angle | 3 degrees | Allowable rotation of license plate in the image |
| Min. Character Height | 20 pixels | Identified in the LPR application window |
| Data Transfer Method | FTP, SMTP and JSON Push commands | Manual configurations in LPR app to transmit data to other systems Eg: VMS |
| Open Platform | LPR application | Dedicated for LPR application |

*LPR plate capture distance vary depending on conditions



CARE IS RECOMMENDED IN SELECTING LPR MOUNTING LOCATION.
DEALER TRAINING OR HANWHA ENGINEER CONSULT IS
RECOMMENDED BEFORE INSTALLATION

XNO-6120R/LPR

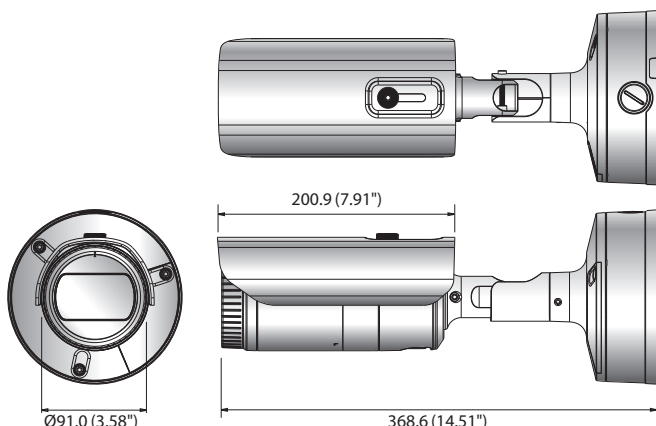
2MP Network IR Bullet Camera Specifications

| VIDEO | |
|----------------------------------|---|
| Imaging Device | 1/2.8" 2MP CMOS |
| Total Pixels | 1,945(H) x 1,109(V) 2.16MP |
| Effective Pixels | 1,945(H) x 1,097(V) 2.13MP |
| Scanning System | Progressive |
| Min. Illumination | Color: 0.03Lux (F1.6), B/W: 0Lux (IR LED on) |
| S / N Ratio | 50dB |
| Video Out | CVBS : 1.0 Vp-p / 75Ω Composite, 720 x 480 for Installation USB : Micro USB Type B, 1280 x 720, for Installation |
| LENS | |
| Focal Length (Zoom Ratio) | 5.2 ~ 62.4mm (Optical 12X) |
| Maximum Aperture Ratio | F1.6(Wide) ~ F3.0(Tele) |
| Angular Field of View | H : 54.58°(Wide) ~ 5.30°(Tele) / V : 32.19°(Wide) ~ 3.00°(Tele) / D : 61.40°(Wide) ~ 6.06°(Tele) |
| Minimum Object Distance | 1.5m (4.92ft) |
| Focus Control | Auto / Manual / One shot AF |
| Lens / Mount Type | DC Auto Iris / Board-in Type |
| OPERATIONAL | |
| IR Viewable Length | 70m (229.66ft), maximum plate distance for IR 65ft |
| Camera Title | Off / On (Displayed up to 85 Characters) - English / Numeric / International / Special Characters - Common : Multi-line (Max. 5), Color (Gray / Green / Red / Blue / Black / White), Transparency, Auto scale by Resolution |
| Day & Night | Auto (ICR) / Color / B/W / External / Schedule |
| Backlight Compensation | Off / BLC / HLC / WDR |
| Wide Dynamic Range | 150dB |
| Contrast Enhancement | SSDR (Off / On) |
| Digital Noise Reduction | SSNRV (2D + 3D Noise filter) (Off / On) |
| Motion Detection | Off / On (8ea, 8Point polygonal zones), Handover |
| Privacy Masking | Off / On (32ea, Rectangular zones) - Color : Gray / Green / Red / Blue / Black / White - Mosaic |
| Gain Control | Off / Low / Middle / High |
| White Balance | ATW / AWC / Manual / Indoor / Outdoor (Included Mercury & Sodium) |
| Contrast | Level Adjustment |
| LDC (Lens Distortion Correction) | Off / On (5 Levels with Min / Max) |
| Electronic Shutter Speed | Minimum / Maximum / Anti Flicker (2 ~ 1/12,000sec) |
| Digital Zoom | 24x |
| Preset | 300ea |
| Flip / Mirror | Off / On, Hallway: 90° / 270° |
| Alarm I/O | Input 1ea / Output 1ea |
| Alarm Triggers | Alarm Input, Motion detection, Video & Audio Analytics, Network disconnect |
| Alarm Events | File Upload Via FTP, E-mail, Notification via e-mail, Local Storage (SD / SDHC / SDXC) or NAS recording at event triggers, External output, Preset |
| Pixel Counter | Support |

| NETWORK | |
|--|---|
| Ethernet | RJ-45 (10/100 BASE-T) |
| Video Compression Format | H.265 / H.264 (MPEG-4 part 10/AVC) : Main / Baseline / High, MJPEG |
| Maximum Framerate | H.265 / H.264 : 60fps at all resolutions, MJPEG : 30fps |
| WiseStreamII | Support |
| Video Quality Adjustment | H.265 / H.264 : MJPEG : Target bitrate level control |
| Bitrate Control Method | H.265 / H.264 : CBR or VBR, MJPEG : VBR |
| Streaming Capability | Multiple streaming (Up to 10 Profiles) |
| Audio In | Selectable (Mic in / Line in), Supply Voltage : 2.5V DC (4mA), Input Impedance : Approx. 2K Ohm |
| Audio Out | Line Out (3.5mm Mono Jack), Max Output Level : 1 Vrms |
| Audio Compression Format | G.711 u-law/G.726 Selectable, G.726 (ADPCM) 8KHz, G.711 8KHz G.726 : 16Kbps, 24Kbps, 32Kbps, 40Kbps, AAC-LC : 48Kbps at 16KHz |
| Audio Communication | Bi-directional (2-way) |
| IP | IPv4, IPv6 |
| Protocol | TCP/IP, UDP/IP, RTP (UDP), RTP (TCP), RTCP, RTSP, NTP, HTTP, HTTPS, SSL/TLS, DHCP, PPPoE, FTP, SMTP, ICMP, IGMP, SNMPv1/v2c/v3 (MIB-2), ARP, DNS, DDNS, QoS, UPnP, Bonjour, SRTP (TCP, UDP Unicast) |
| Security | HTTPS (SSL) Login Authentication, Digest Login Authentication IP address filtering, User access log, 802.1X Authentication (EAP-TLS, EAP-LEAP) |
| Streaming Method | Unicast / Multicast |
| Maximum User Access | 20 Users at Unicast Mode |
| Application Programming Interface | ONVIF Profile S/G, SUNAPI 2.0 (HTTP API), Wisenet Open Platform |
| ENVIRONMENTAL | |
| Operating Temperature / Humidity | -40°C ~ +55°C (-40°F ~ +131°F) / Less than 90% RH * Start up should be done at above -35°C (-31°F) |
| Storage Temperature / Humidity | -50°C ~ +60°C (-58°F ~ +140°F) / Less than 90% RH |
| Ingress Protection / Vandal Resistance | IP67, IP66, NEMA4X / IK10 |
| ELECTRICAL | |
| Input Voltage / Current | 24V AC, 12V DC, PoE (IEEE802.3af Class3) |
| Power Consumption | 24V AC : Max 14.5W, 12V DC : Max 12.5W, PoE : Max 12.95W |
| MECHANICAL | |
| Color / Material | Dark Gray / Aluminum |
| Dimensions (WxH) | Ø91.0 x 368.6mm (3.58" x 14.51") |
| Weight | 2.18Kg (4.81 lb) |
| Gangbox | Single, Double, 4" Octagon |

Dimensions

Unit : mm (inch)



Accessories (Optional)



SBP-302PM

IMPORTANT INFORMATION

CARE IS RECOMMENDED IN SELECTING LPR MOUNTING LOCATION.
DEALER TRAINING OR HANWHA ENGINEER CONSULT IS
RECOMMENDED BEFORE INSTALLATION